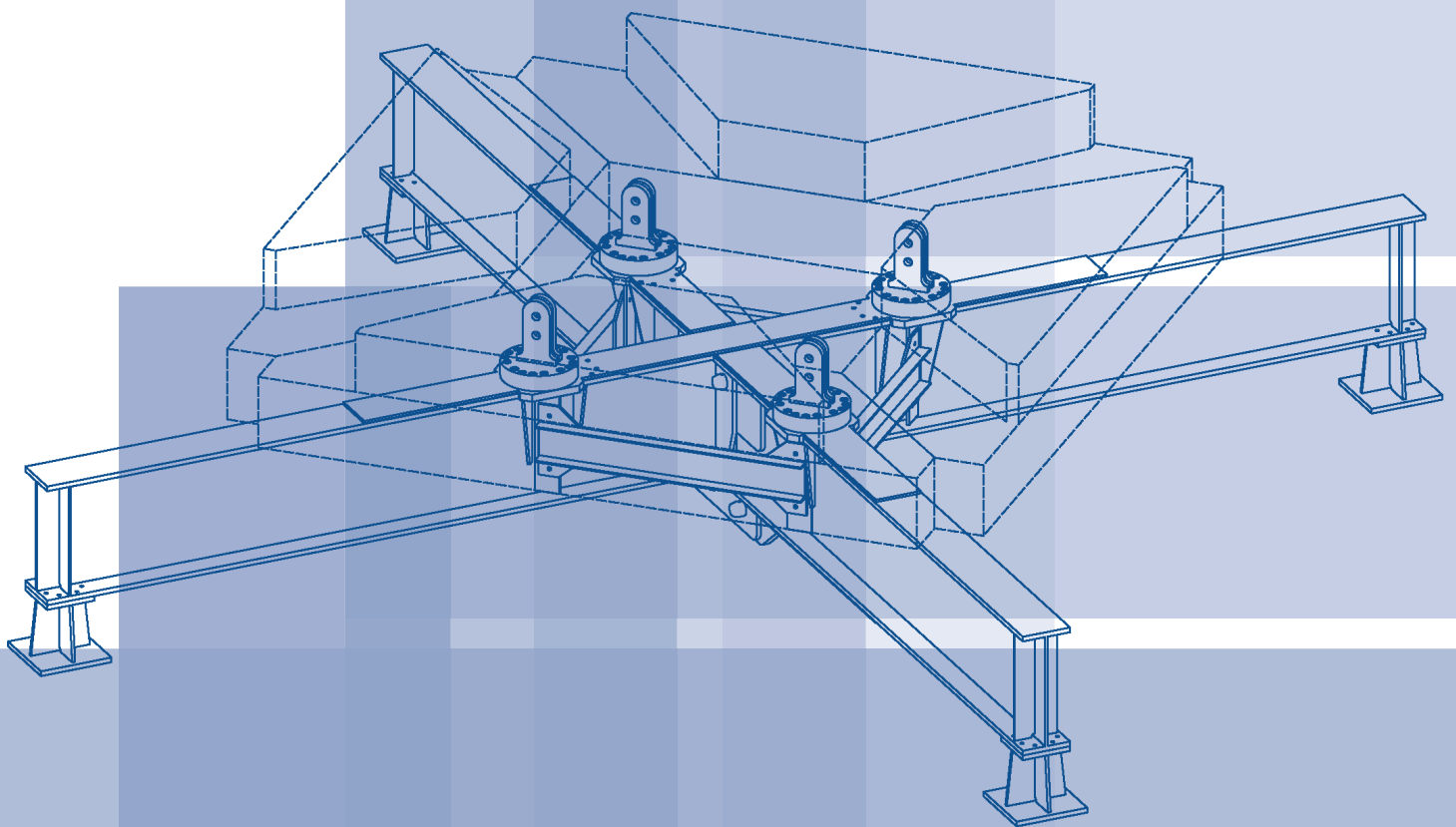
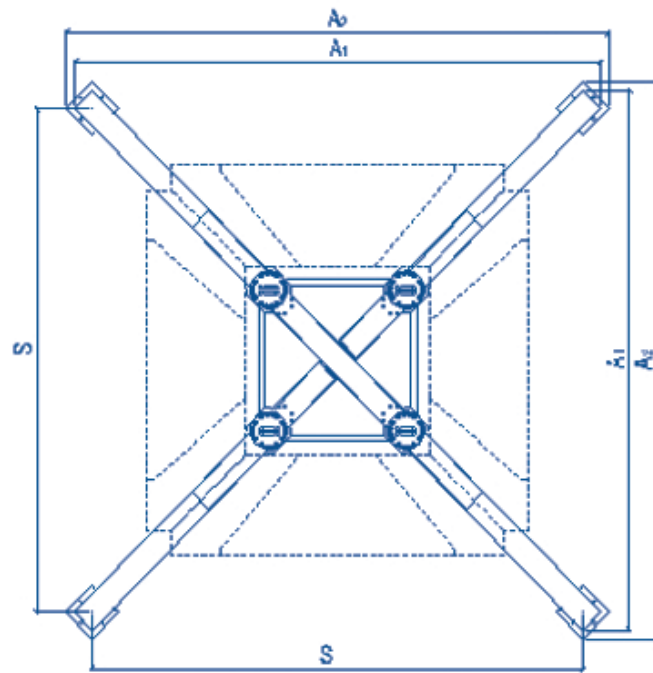


Made in Germany



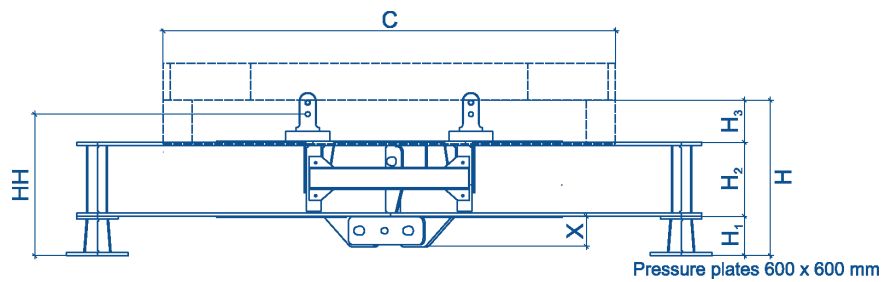
# Cross frame KR 10-80

Technical details



with spigots **AZ 140M** connection for tower element **S 20**  
 with spigots **AZ 24** connection for tower element **S 24**

HH [mm]	H <sub>3</sub> [mm]	H [mm]
1,790	462	2,030
1,933	655	2,223



Dimensions and weight										
Type	S [mm]	A <sub>1</sub> [mm]	A <sub>2</sub> [mm]	L [mm]	B [mm]	H <sub>1</sub> [mm]	H <sub>2</sub> [mm]	C [mm]	X [mm]	Weight [kg]
KR 10-80	8,000	8,567	8,849	11,920	1,080	540	1,028	6,200	420	15,000

Transport

