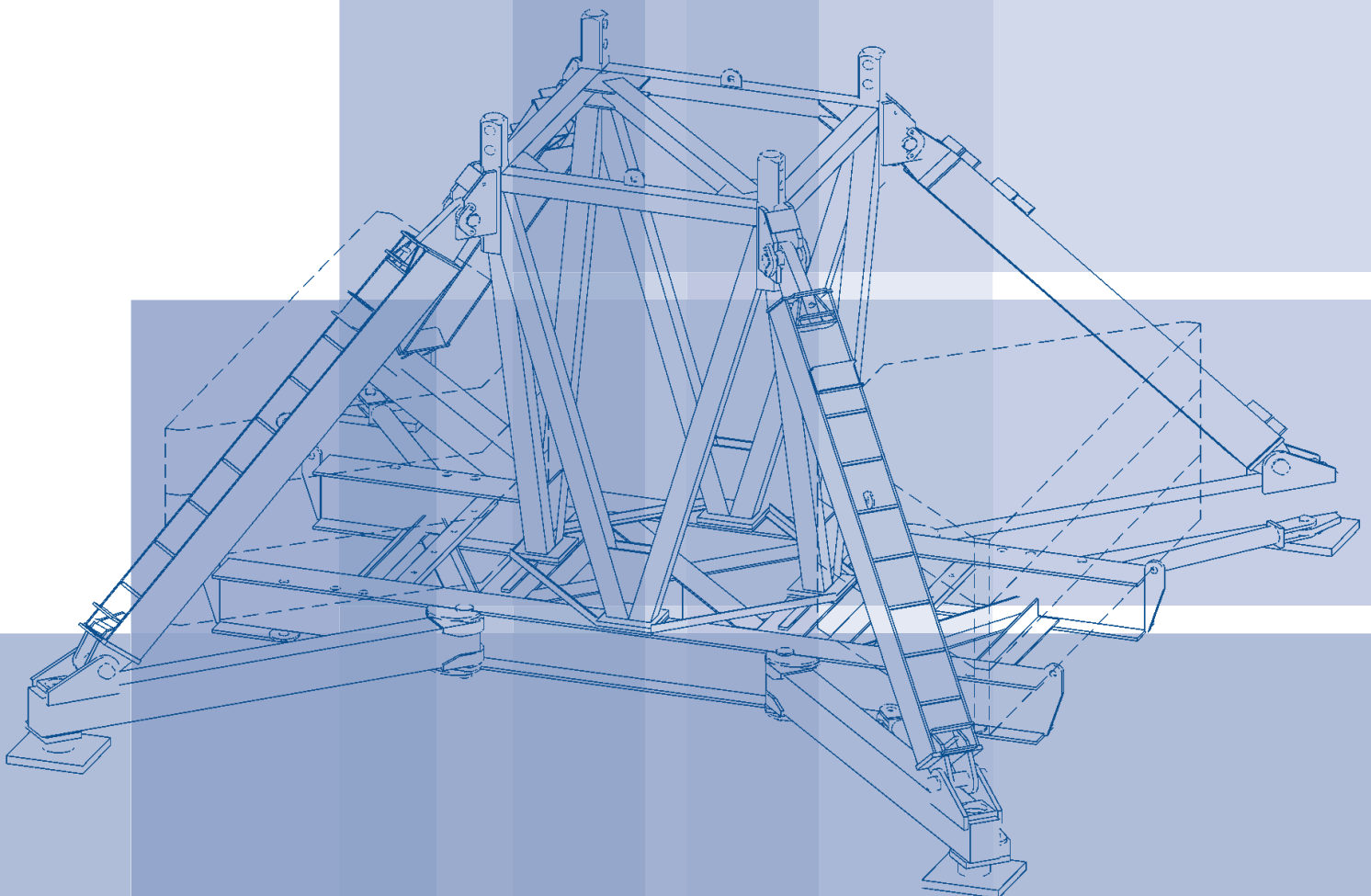


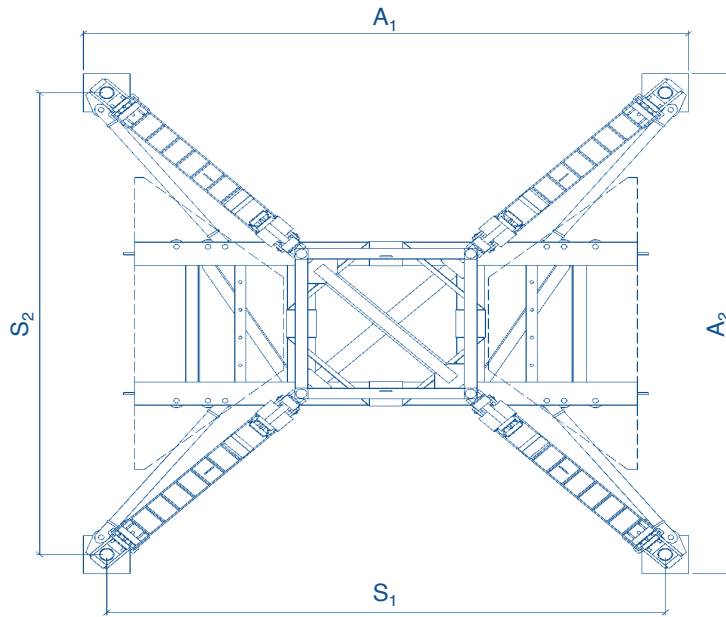
WILBERT

Made in Germany

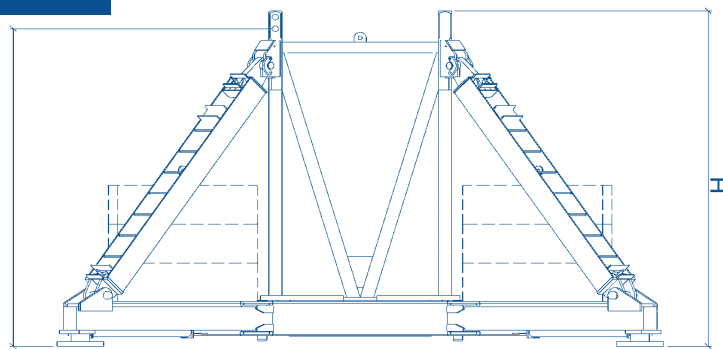


Cross frame element KRE 206

Technical details



Connection for tower element S 20



Pressure plates 500 x 500 mm

Kind of installation	Dimension and weights						Weight [kg]
	S_1 [mm]	S_2 [mm]	H [mm]	HH [mm]	A_1 [mm]	A_2 [mm]	
Symmetrical	6,000	6,000	4,325	4,095	6,500	6,500	11,410
Asymmetrical	5,000	6,790			5,500	7,290	

Transport

