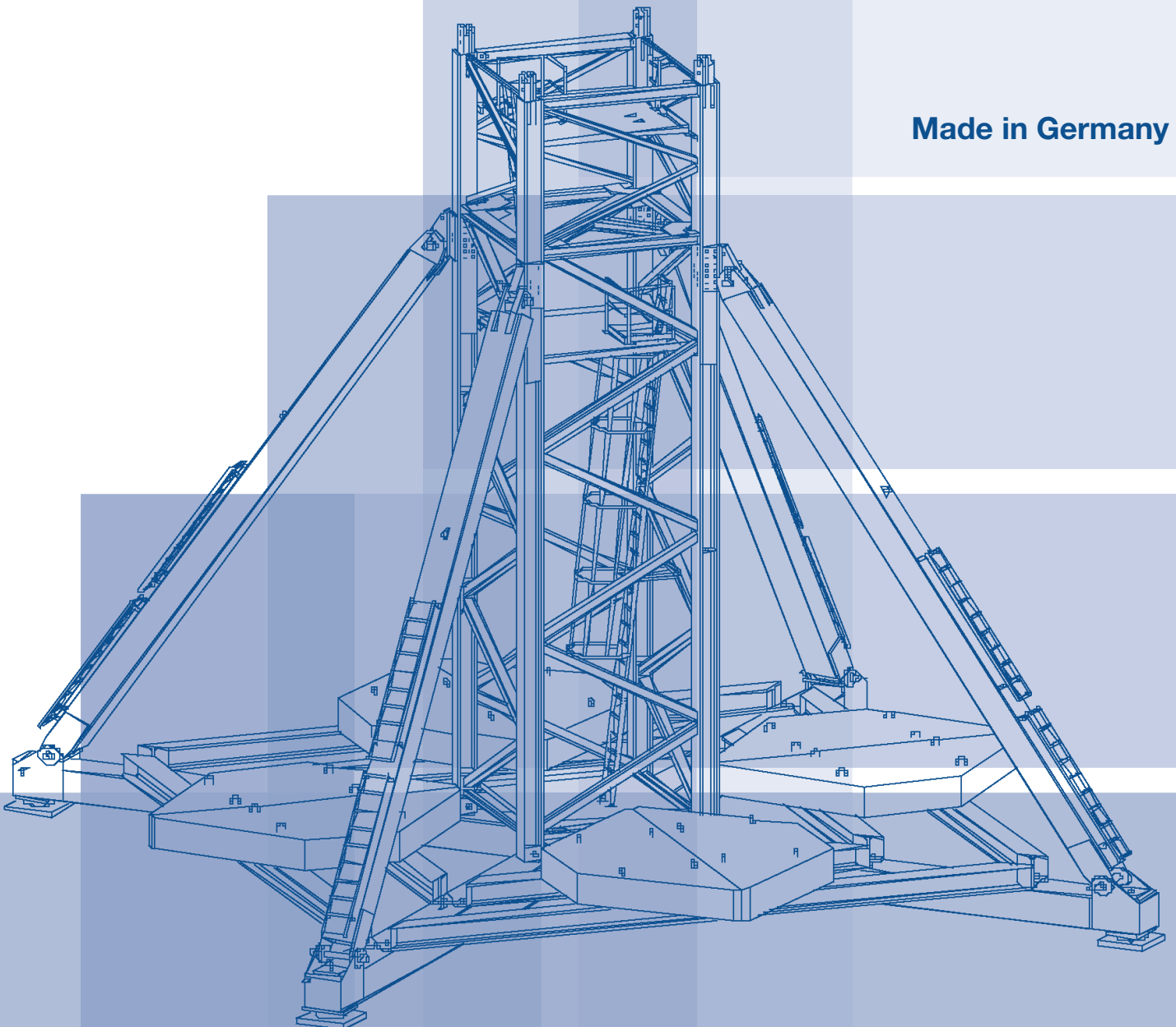
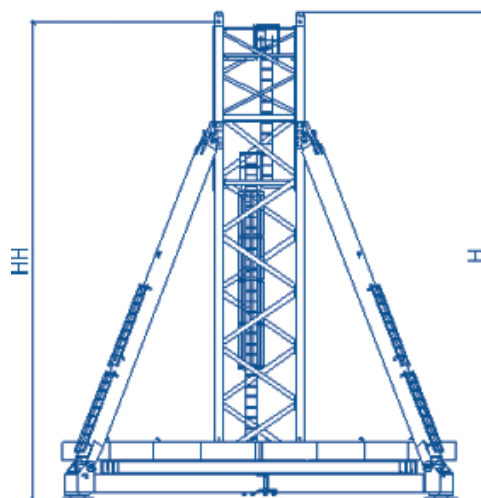
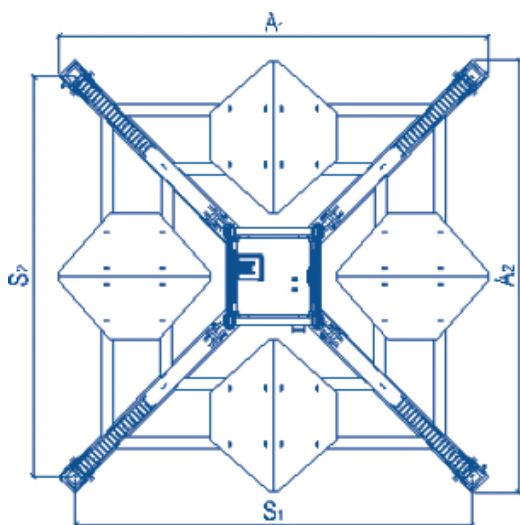


Made in Germany



Cross frame element KRE 410

Technical details



Connection for tower element S 24

Weights and measures

Type	S ₁ [mm]	S ₂ [mm]	H [mm]	HH [mm]	A ₁ [mm]	A ₂ [mm]	Weight [kg]
KRE 410	10,000	10,000	13,400	13,000	10,800	10,800	35,980

Package list

Pos.	Qty.	Description	Package (not to scale)	Length [m]	Width [m]	Height [m]	Weight [kg]	Volume [m ³]
1	1	Frame, long		14.60	1.20	0.92	3,922	16.12
2	2	Frame, short		7.14	0.64	0.92	3,765	4.20
3	4	Ballast beam 1		8.22	0.30	0.47	1,220	1.15
4	4	Ballast beam 2		5.22	0.30	0.47	790	0.74
5	4	Traction strut		10.52	0.44	0.57	1,560	2.64
6	2	Connection 1		0.52	0.51	0.73	210	0.19
7	2	Connection 2		0.52	0.51	0.73	210	0.19
8	4	Pressure plate		0.60	0.60	0.91	350	0.33
9	1	Tower base element with ladder (with connections 1 + 2)		12.63	3.03	3.03	13,300	115.95
10	1	Tower base element with ladder (without connections 1 + 2)		12.63	2.43	2.59	12,480	79.49
11	1	Box with pins and small parts		2.00	1.00	0.50	680	1.00