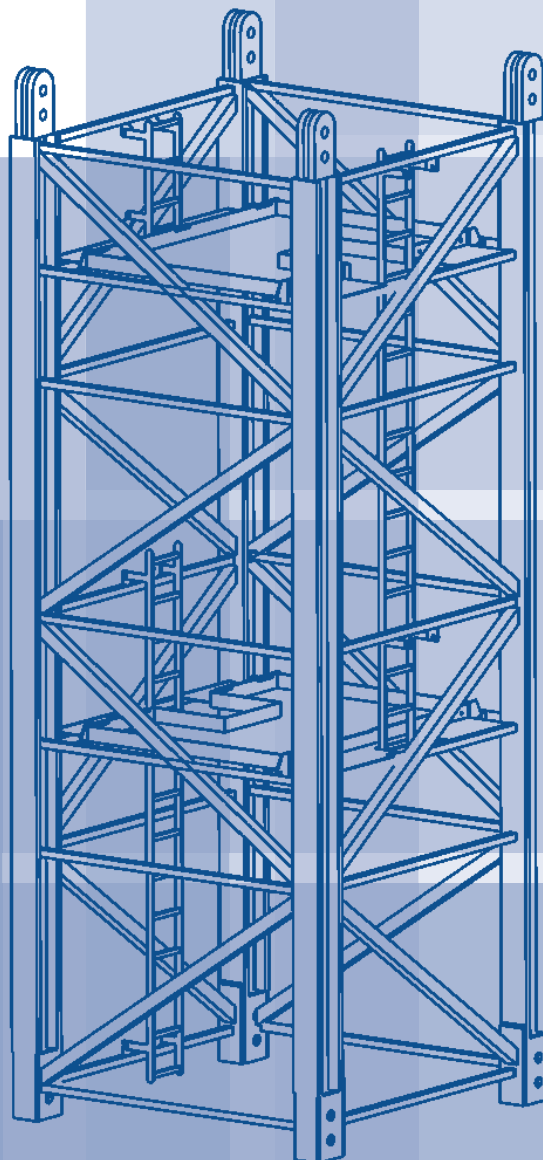


WILBERT

Made in Germany

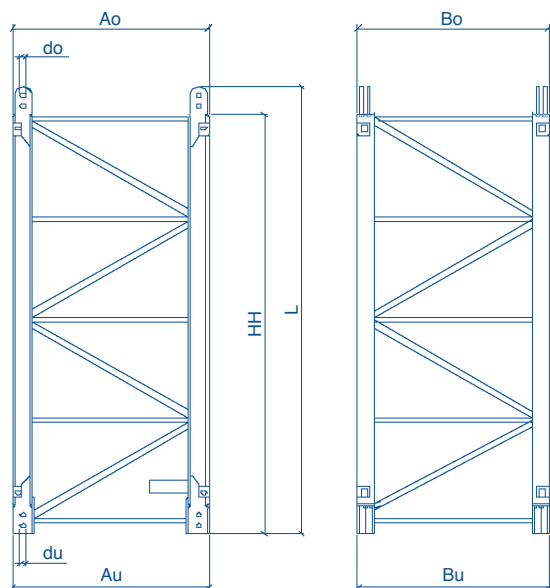


Tower elements
Technical details

Tower element	Hook height [mm]	Dimensions [mm]							Weight [kg]
		Au	Bu	du	Ao	Bo	do	L	
E 15	6490	1518	1500	Ø 60	1518	1500	Ø 60	6815	2750
A 15	6490	1518	1500	Ø 70	1518	1500	Ø 60	6815	3950
S 15	6490	1518	1500	Ø 70	1518	1500	Ø 70	6815	3950
V 15-20	6490	2002	2002	Ø 60	1458	1458	Ø 70	6840	4000
E 20	6490	2018	2000	Ø 60	2018	2000	Ø 60	6815	2950
A 20	6490	2018	2000	Ø 70	2018	2000	Ø 60	6815	4150
S 20	6490	2018	2000	Ø 70	2018	2000	Ø 70	6840	4150
V 20-24	6490	2496	2434	Ø 60	1958	1958	Ø 70	6840	4500
E 24	6490	2496	2438	Ø 60	2496	2438	Ø 60	6860	5330
A 24	6408	2496	2438	Ø 65	2496	2438	Ø 60	6778	6850
S 24	6408	2496	2438	Ø 65	2496	2438	Ø 65	6838	6850
E 33 V	5000	3330	3250	M90	3330	3250	M90	5000	9400
E 66 L	11900	6575	6575	M90	6575	6575	M90	11900	32753*

* heaviest assembly weight 19,692 kg

Dimensions



Tower elements

